

Patternübersicht



Western Riding

LK 1-2 A/B Pattern 5

LK 3 A/B Pattern 6

Senior Superhorse (2018)

LK 1-2 A/B Pattern 1

Reining

LK 1-2 A/B Pattern 6

LK 3 A/B Pattern 5

LK 4 A Pattern 14

LK 4 B Pattern 14

Ranch Riding (2017)

LK 1 A/B Pattern 6

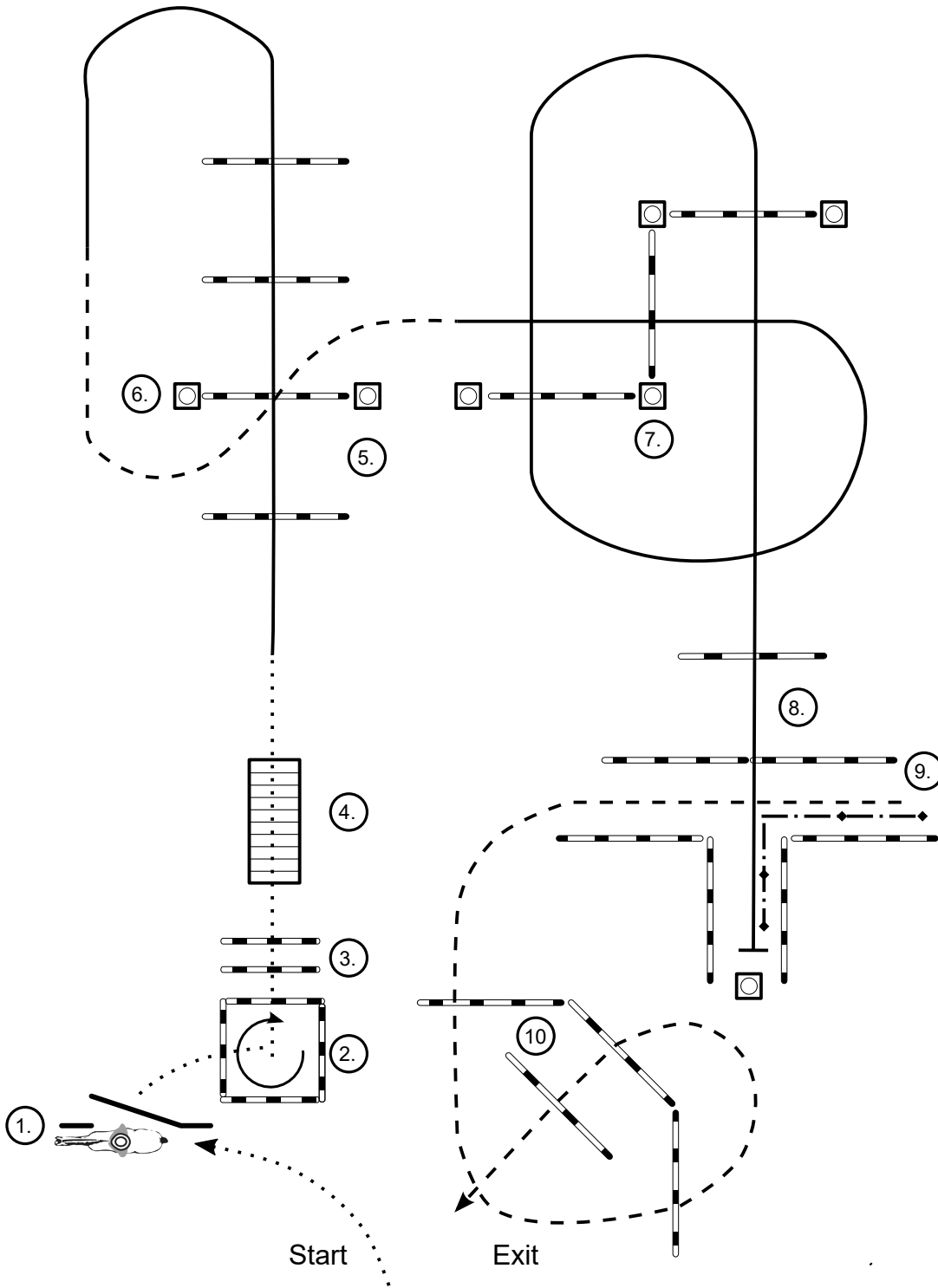
LK 2 A/B Pattern 6

LK 3 A/B Pattern 2

LK 4 A/B Pattern 3

LK 5 A/B Pattern 3

Trail Horse LK 1 A / LK 1 B



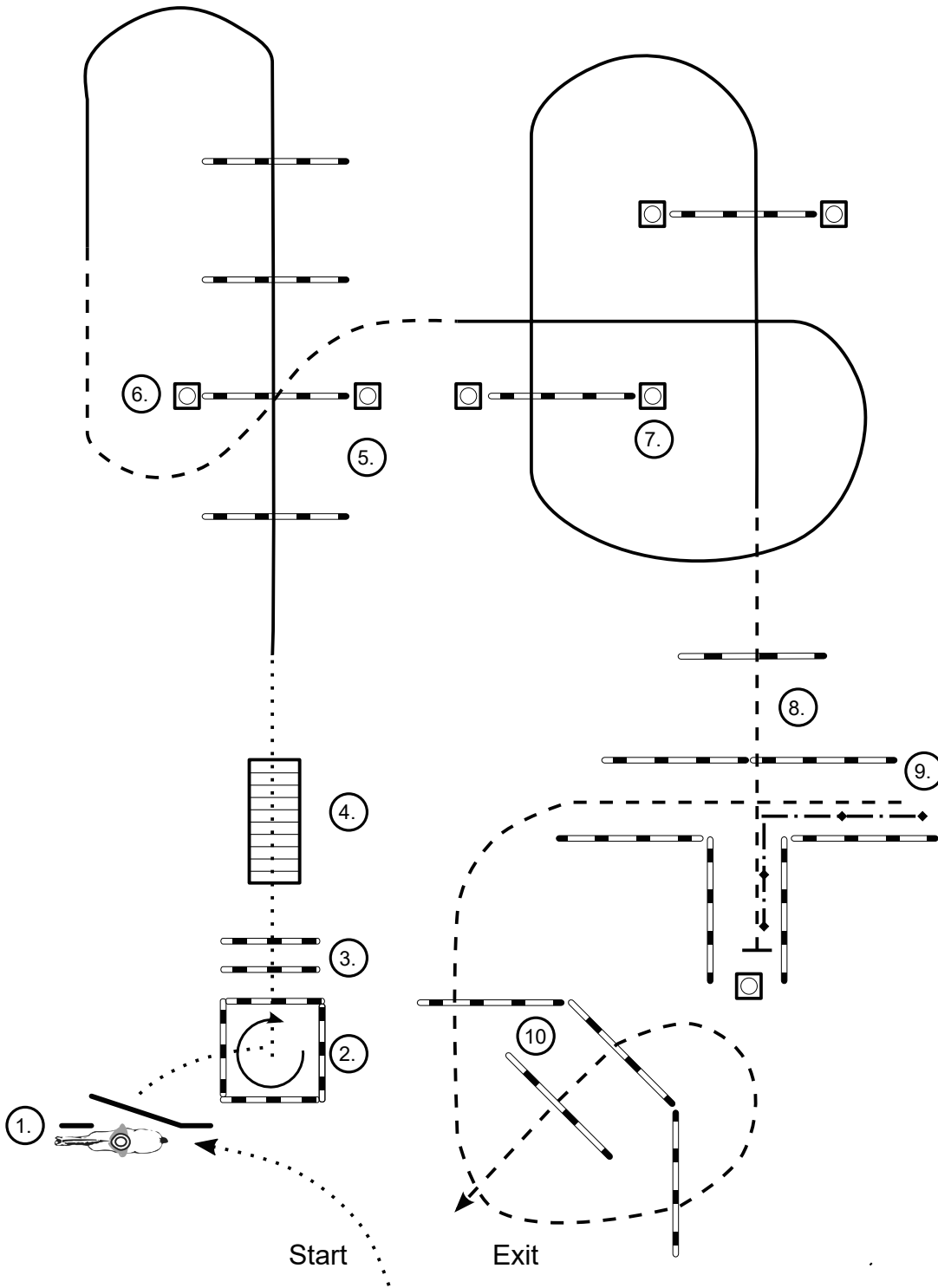
1. Gate (RH)
2. 270° Turn (R)
3. Walk Overs
4. Bridge
5. Lope (LL) Overs
6. Jog Overs
7. Lope (RL) Overs
8. Lope (RL) Overs - Stop
9. Back Up
10. Jog Overs

Jog to Exit

LH = Left Hand
 RH = Right Hand
 LL = Left Lead
 RL = Right Lead

- Schritt
- - - - - Trab
- Galopp
- ◆ — ◆ — ◆ Rückwärts
- no> Seitwärts
- X — Galoppwechsel

Trail Horse LK 2 A / LK 2 B



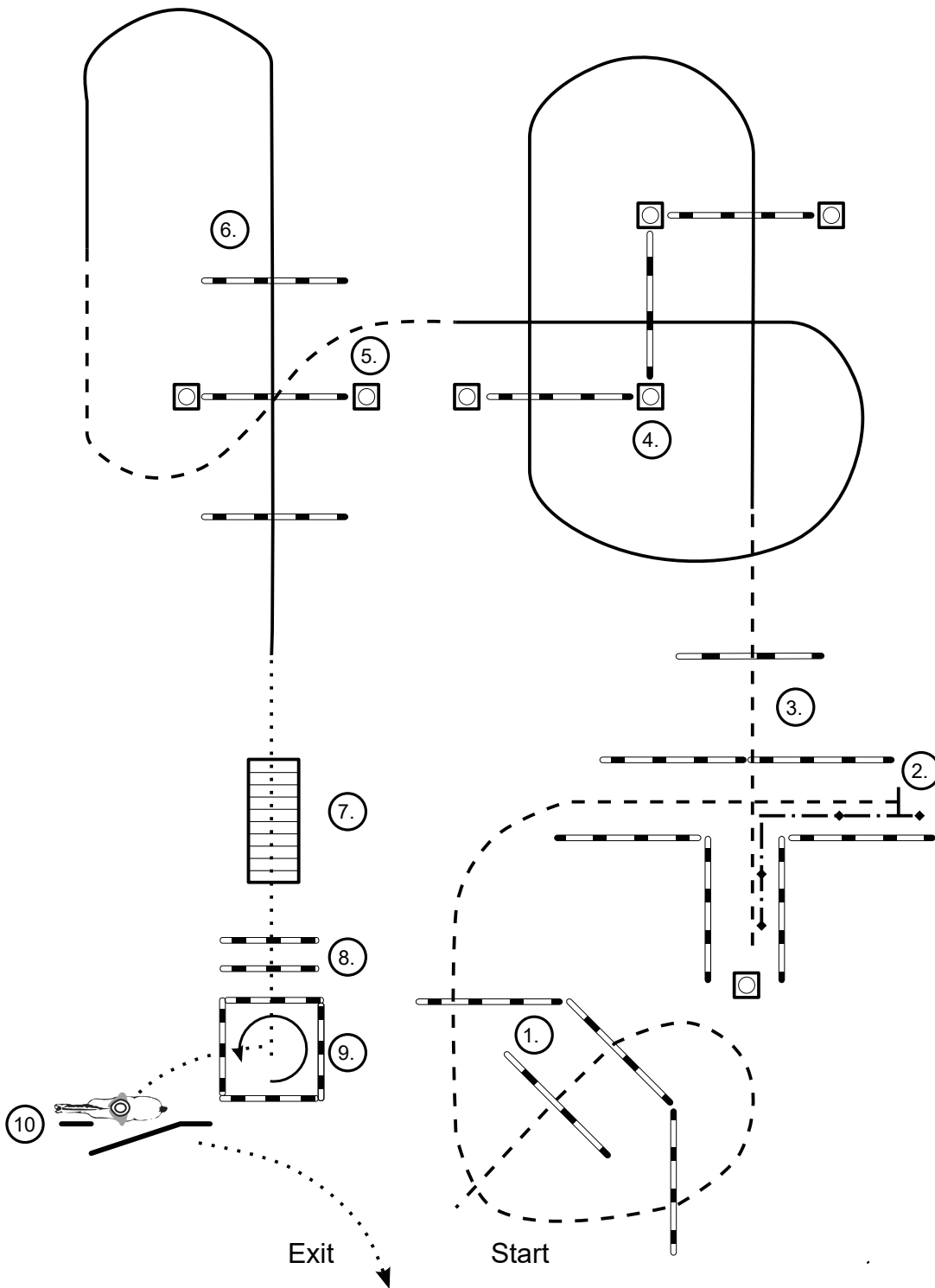
1. Gate (RH)
2. 270° Turn (R)
3. Walk Overs
4. Bridge
5. Lope (LL) Overs
6. Jog Overs
7. Lope (RL) Overs
8. Jog Overs - Stop
9. Back Up
10. Jog Overs

Jog to Exit

LH = Left Hand
 RH = Right Hand
 LL = Left Lead
 RL = Right Lead

- Schritt
- - - - - Trab
- Galopp
- ◄ - - - - - ► Rückwärts
- no → Seitwärts
- X — Galoppwechsel

Trail Horse LK 3 A / LK 3 B



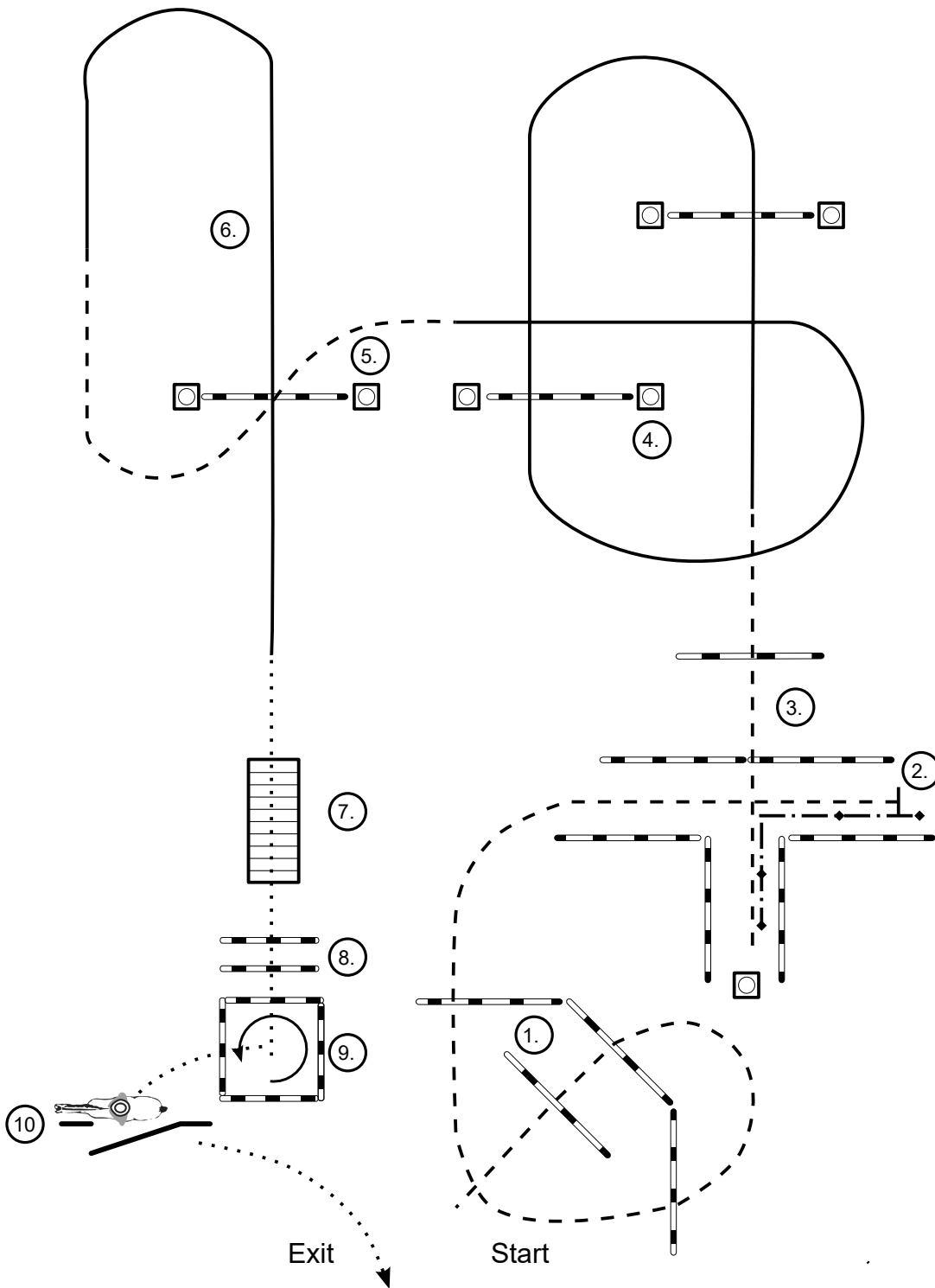
1. Jog Overs - Stop
2. Back Up
3. Jog Overs
4. Lope (LL) Overs
5. Jog Overs
6. Lope (RL) Overs
7. Bridge
8. Walk Overs
9. 270° Turn (L)
10. Gate (LH)

Walk to Exit

LH = Left Hand
 RH = Right Hand
 LL = Left Lead
 RL = Right Lead

- Schritt
- - - - - Trab
- Galopp
- ◄ — — — — — ► Rückwärts
- no ► Seitwärts
- X — Galoppwechsel

Trail Horse LK 4 A / LK 4 B



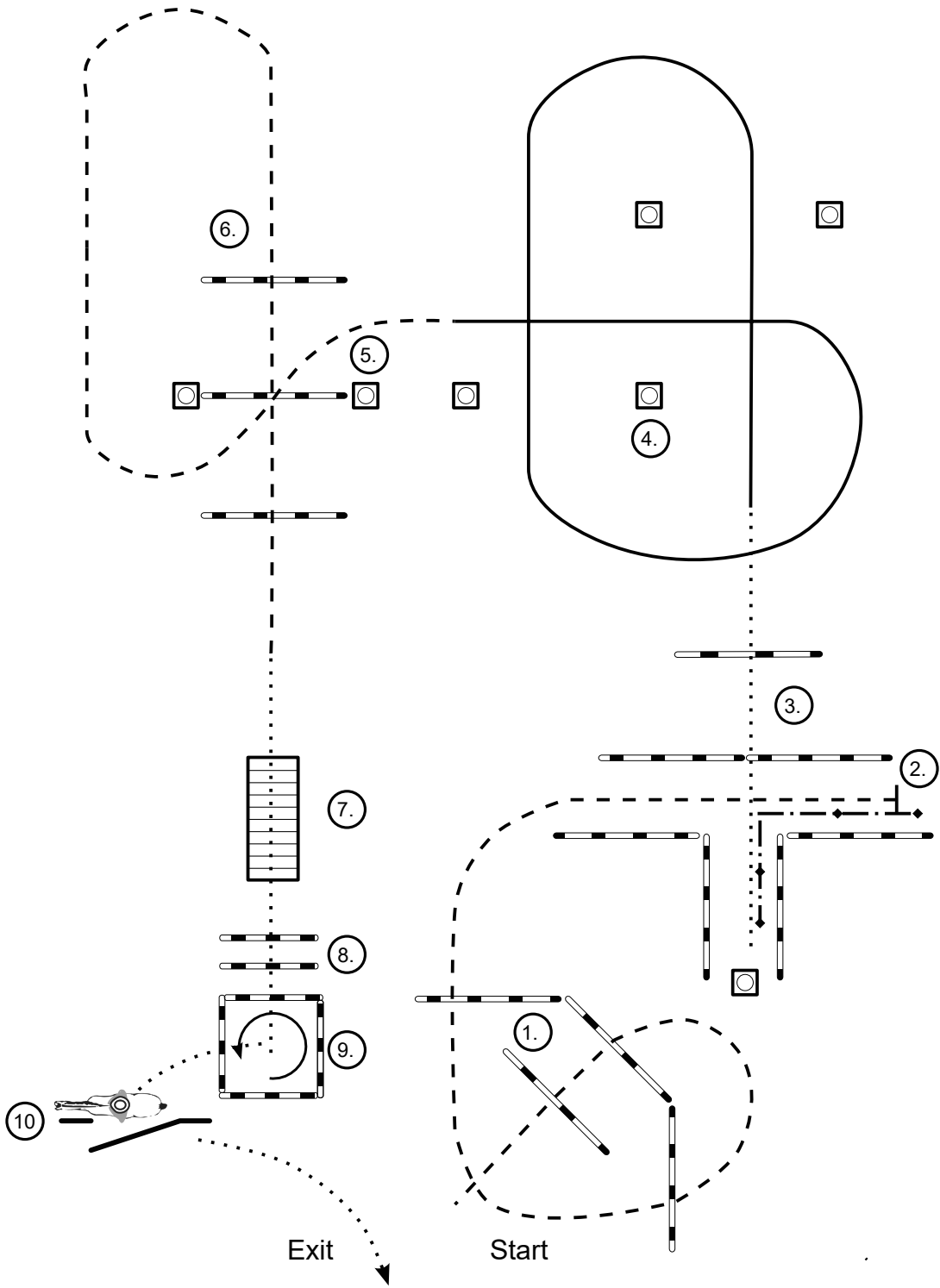
1. Jog Overs - Stop
2. Back Up
3. Jog Overs
4. Lope (LL) Overs
5. Jog Overs
6. Lope (RL) Overs
7. Bridge
8. Walk Overs
9. 270° Turn (L)
10. Gate (LH)

Walk to Exit

LH = Left Hand
 RH = Right Hand
 LL = Left Lead
 RL = Right Lead

- Schritt
- - - - - Trab
- Galopp
- ◆ - - - ◆ Rückwärts
- no> Seitwärts
- X — Galoppwechsel

Trail Horse LK 5 A/B



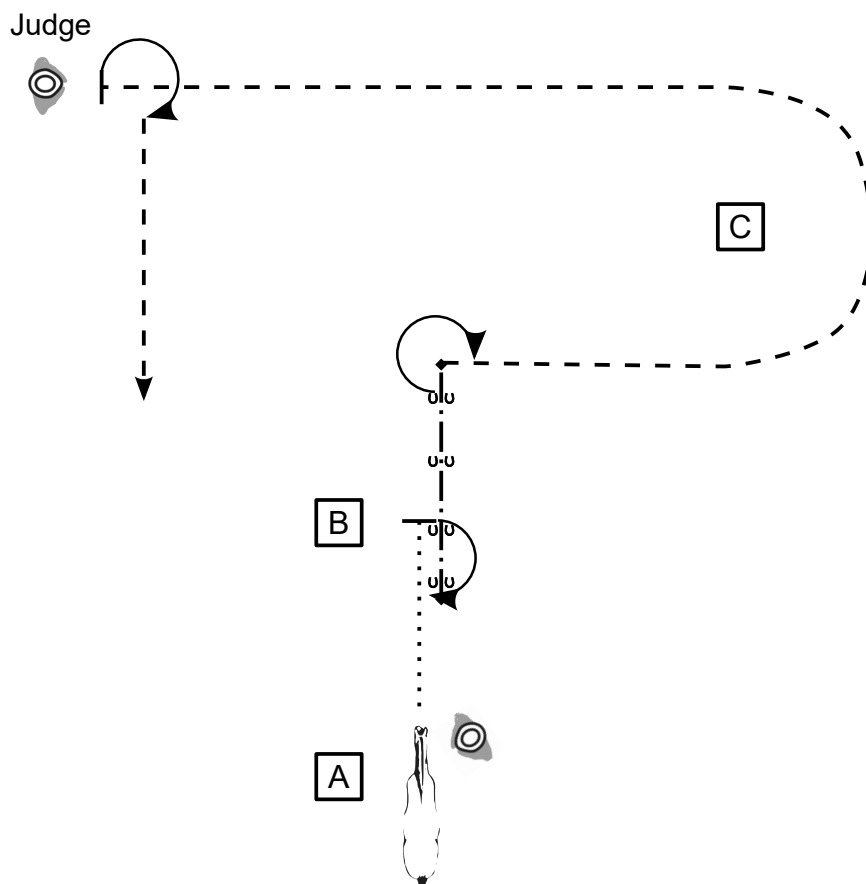
1. Jog Overs - Stop
2. Back Up
3. Walk Overs
4. Lope (LL)
5. Jog Overs
6. Jog Overs
7. Bridge
8. Walk Overs
9. 270° Turn (L)
10. Gate (LH)

Walk to Exit

LH = Left Hand
 RH = Right Hand
 LL = Left Lead
 RL = Right Lead

- Schrit
- - - - - Trab
- Galopp
- ◄ - - - - - ► Rückwärts
- no ► Seitwärts
- X — Galoppwechsel

Showmanship at Halter LK 1-2 A/B



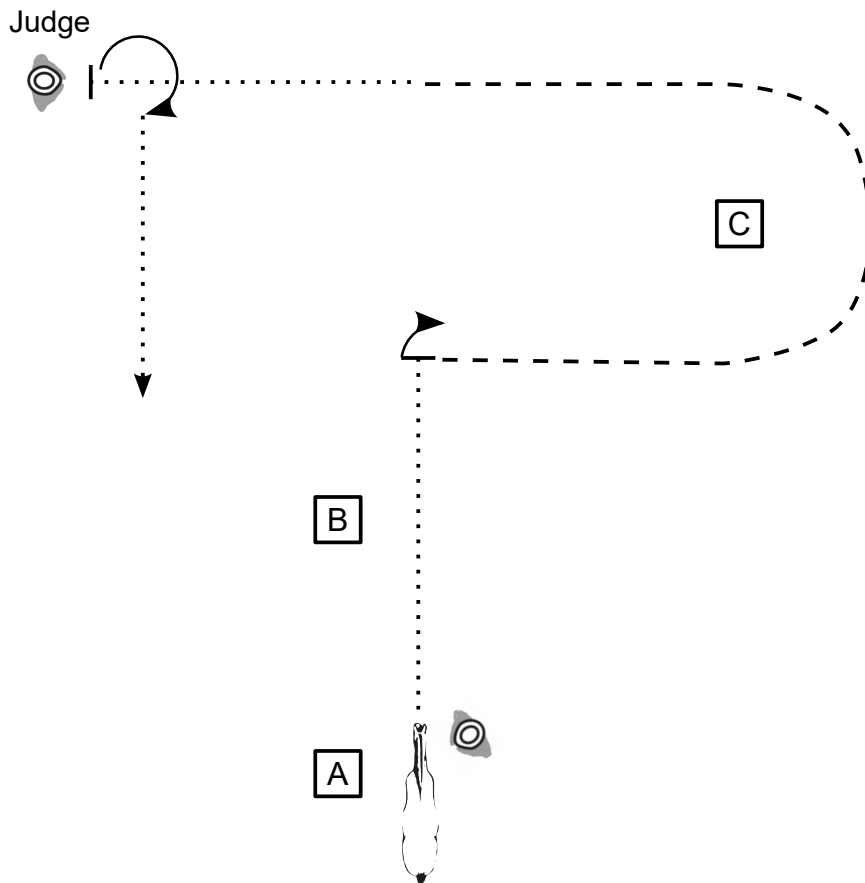
Set Up bei A

1. Walk bis B - Stop
2. 180° Turn
3. Back Up
4. 270° Turn
5. Jog um C zum Richter - Stop
6. Set Up
7. 270° Turn

Jog weg vom Richter

- A Marker
- Schritt
- - - - - Trab
- - - - - ext. Trab
- ← $\frac{2}{3}$ → $\frac{3}{3}$ → $\frac{3}{3}$ Rückwärts

Showmanship at Halter LK 4 A/B / LK 5 A/B



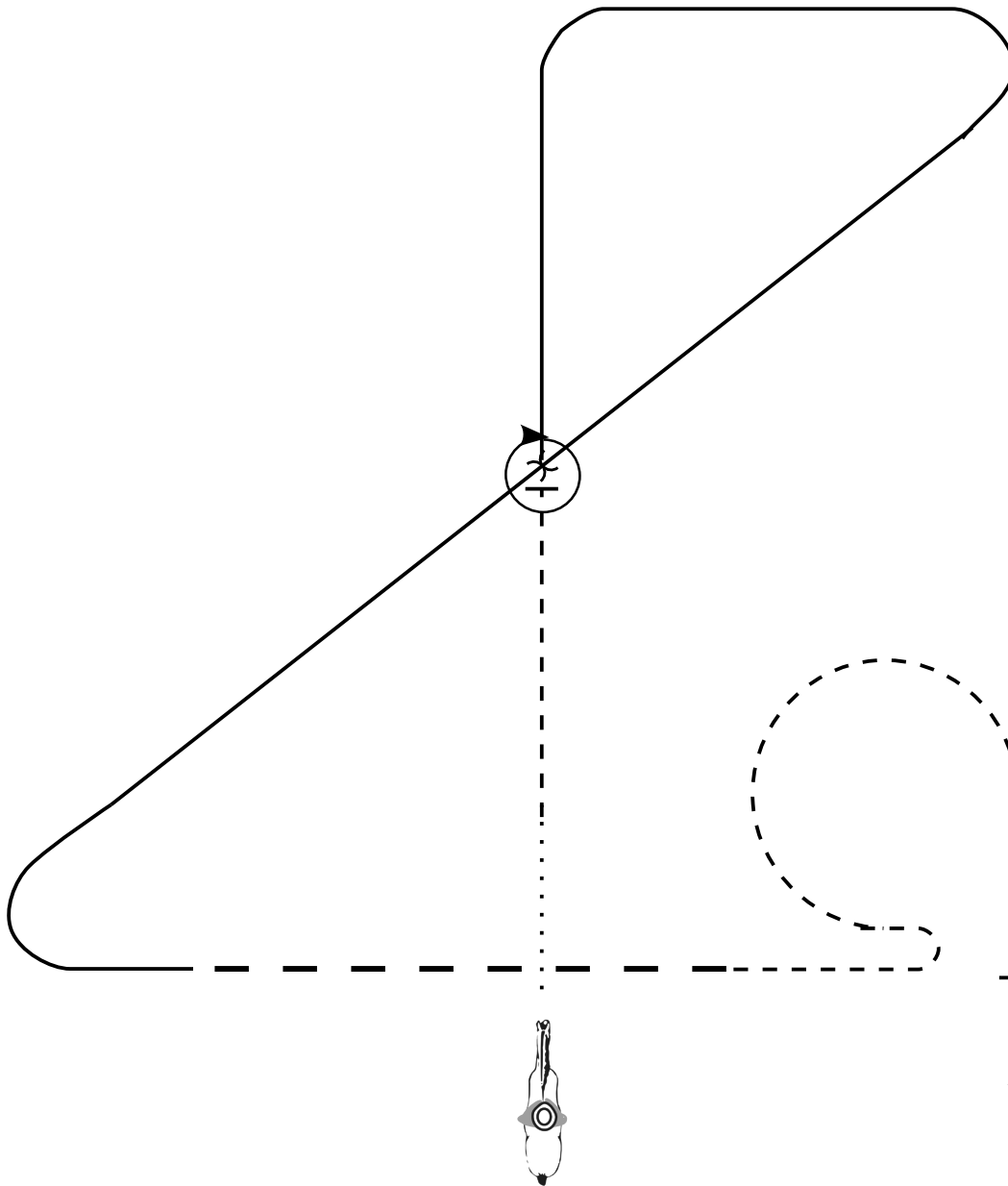
Set Up bei A

1. Walk bis hinter B - Stop
2. 270° Turn
3. Jog um C bis auf Höhe B
4. Walk zum Richter - Stop
5. Set Up
6. 270° Turn

Walk weg vom Richter

- A Marker
- Schritt
- - - - - Trab
- - - - - ext. Trab
- ←₃ · →₃ —₃ → Rückwärts

Western Horsemanship LK 1 A / LK 1 B



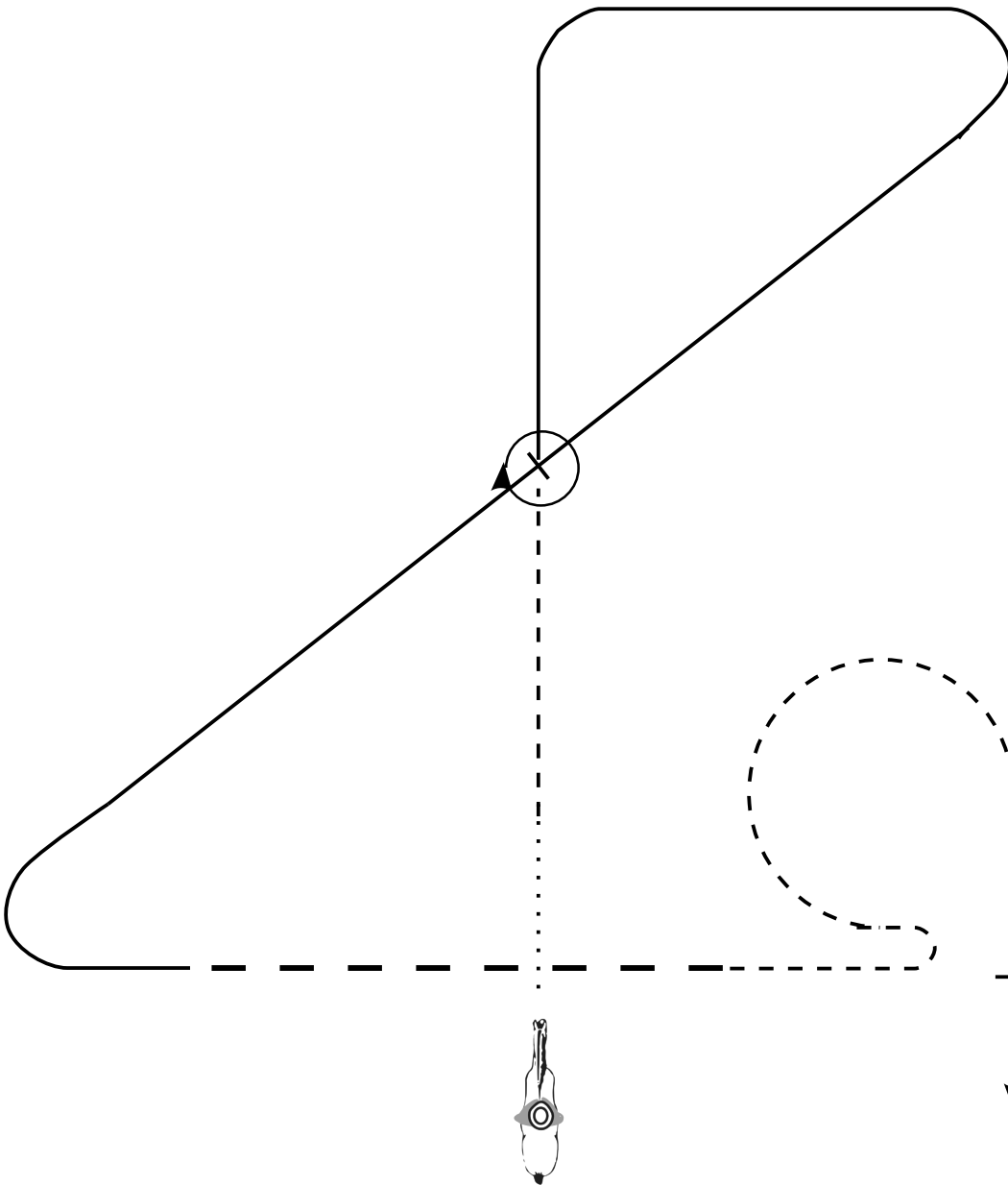
1. Walk - Jog - Stop
2. 360° Turn (R)
3. Lope (RL) as shown
4. Lead Change (simple)
5. Lope (LL) as shown
6. Ext. Jog
7. Jog circle - Stop - Back

Jog to Exit

L = Left
 R = Right
 LL = Left Lead
 RL = Right Lead

- | | |
|---------------|---------------|
| A | Marker |
| | Schritt |
| - - - - - | Trab |
| - - - - - | ext.Trab |
| ————— | Galopp |
| ————— | ext. Galopp |
| ◄ - - - - - ► | Rückwärts |
| nn> | Seitwärts |
| ————— X ————— | Galoppwechsel |

Western Horsemanship LK 2 A / LK 2 B



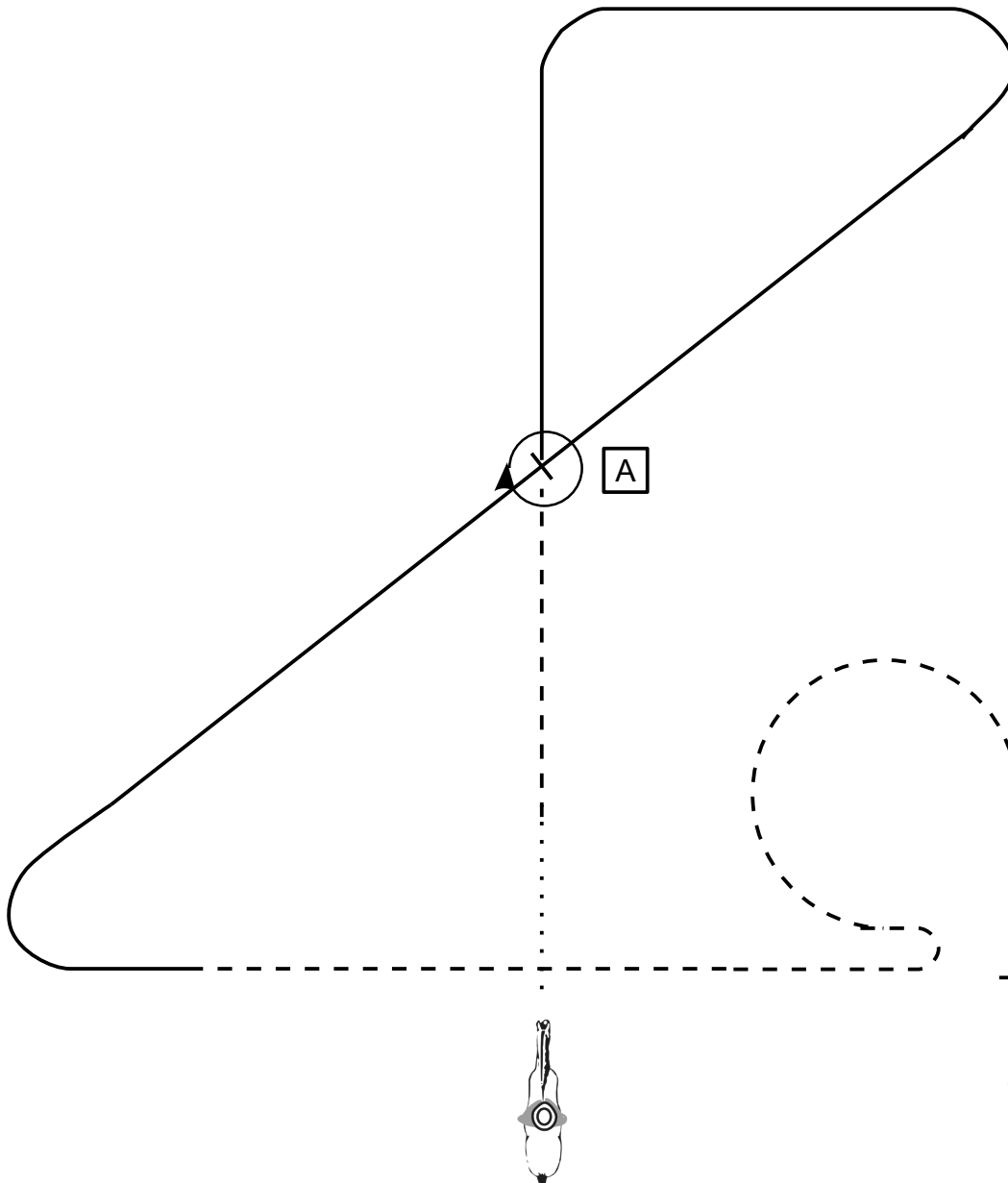
1. Walk - Jog
2. Lope (RL) as shown
Stop
3. 360° Turn (R)
4. Lope (LL) as shown
5. Ext. Jog
6. Jog circle - Stop - Back

Walk to Exit

L = Left
 R = Right
 LL = Left Lead
 RL = Right Lead

- | | |
|---------------|---------------|
| A | Marker |
| | Schritt |
| - - - - - | Trab |
| - - - - - | ext.Trab |
| ————— | Galopp |
| ————— | ext. Galopp |
| ◄ - - - - - ► | Rückwärts |
| on → | Seitwärts |
| ————— X ————— | Galoppwechsel |

Western Horsemanship LK 3 A / LK 3 B



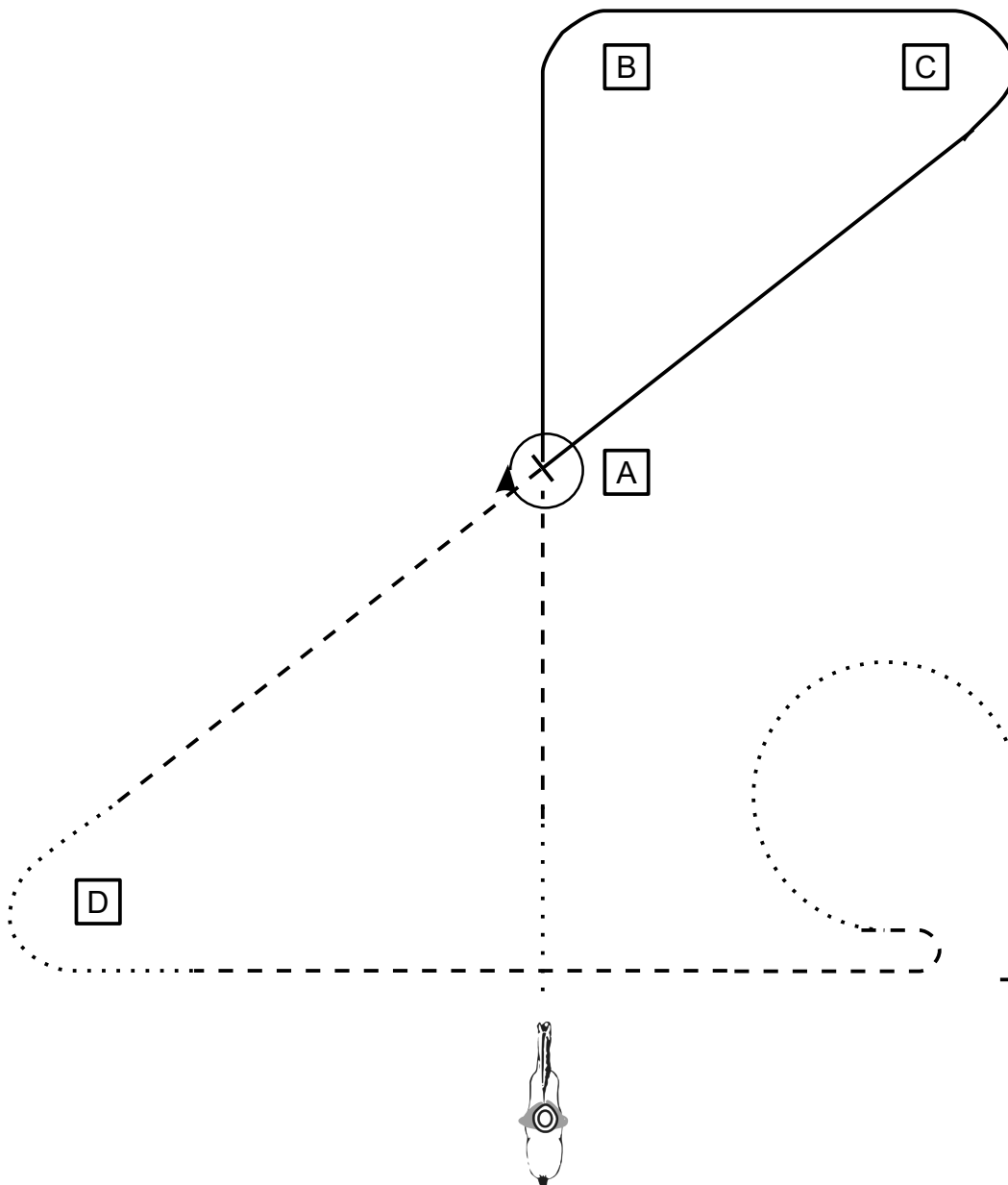
1. Walk - Jog - Stop at A
2. Lope (RL) as shown
Stop at A
3. 360° Turn (R)
4. Lope (LL) as shown
5. Jog
6. Jog circle - Stop - Back

Walk to Exit

L = Left
 R = Right
 LL = Left Lead
 RL = Right Lead

- | | |
|---|--------------------|
| A | Marker |
| | Schritt |
| - - - - - | Trab |
| - - - - - | ext.Trab |
| ————— | Galopp |
| ————— | ext. Galopp |
| ◄ - - - - - ► | Rückwärts |
| on → | Seitwärts |
| — X — | Galopp-
wechsel |

Western Horsemanship LK 4 A / LK 4 B / LK 5 A/B



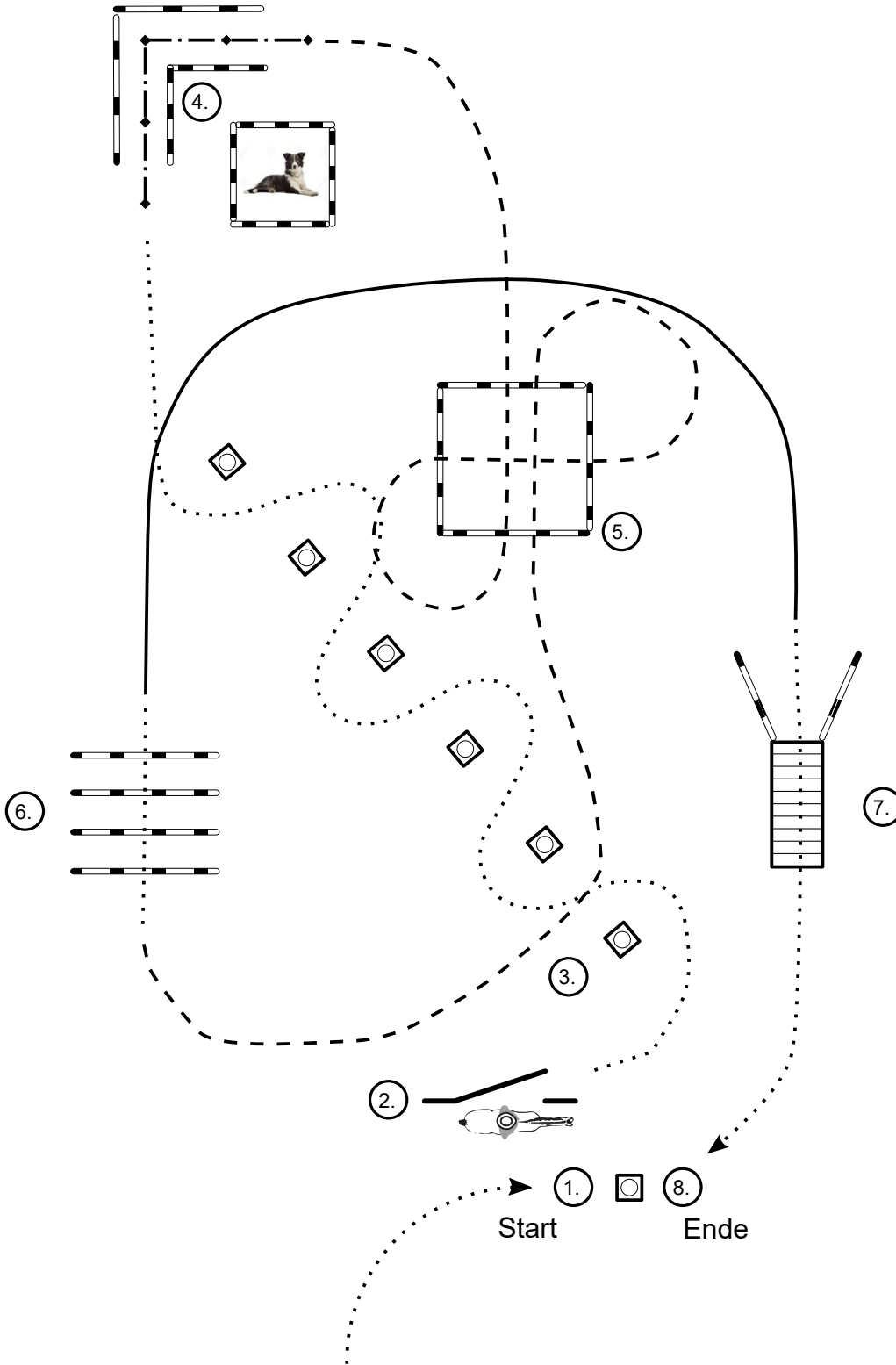
1. Walk - Jog to A
2. Lope (RL) around B and C - Stop at A
3. 360° Turn (R)
4. Jog to and walk around D
5. Jog
6. Walk circle - Stop - Back

Walk to Exit

L = Left
 R = Right
 LL = Left Lead
 RL = Right Lead

- | | |
|---|---------------|
| A | Marker |
| | Schritt |
| - - - - - | Trab |
| - - - - - | ext.Trab |
| ————— | Galopp |
| ————— | ext. Galopp |
| ◄ - - - - - ► | Rückwärts |
| nn → | Seitwärts |
| — X — | Galoppwechsel |

Horse & Dog Trail LK 3-5



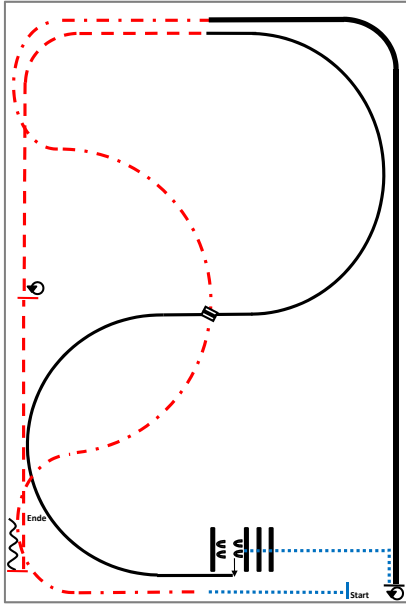
1. Einreiten
Hund ableinen
2. Tor
Hund voraus oder nachholen
3. Schritt Slalom
Hund bei Fuß
4. Rückwärts
Hund vorher im Quadrat ablegen, danach Hund abrufen
5. Trabstangen
Hund bei Fuß (Hund mit durch das Quadrat)
6. Schrittstangen
Hund bei Fuß
7. Rechtsgalopp zur Brücke
Hund bei Fuß, Brücke, Hund voraus oder nachkommen lassen
8. Absteigen
Hund anleinen

- Schritt
- - - - - Trab
- Galopp
- ◆- - - -◆ Rückwärts

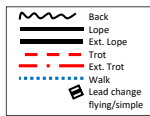
Ranch Riding

LK 1 A/B / LK 2 A/B

Qualifikationspattern RR 2017 #6: LK 1/2 A/B sen.
(auch für Hallen und Plätze 20x40m geeignet)

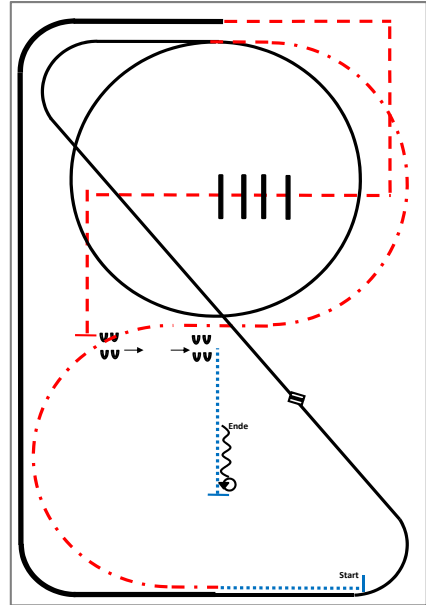


- 1) Walk.
- 2) Extended trot serpentine.
- 3) Extended lope right lead.
- 4) Stop, 180° turn right.
- 5) Walk.
- 6) Walk over, sidepass left.
- 7) Lope right lead.
- 8) Lead change.
- 9) Lope left lead.
- 10) Trot.
- 11) Stop, 360° turns each direction either way first.
- 12) Trot, stop, back.

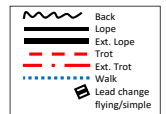


LK 3 A/B

Pattern RR 2017 #2: LK 3 A/B
(auch für Hallen und Plätze 20x40m geeignet)

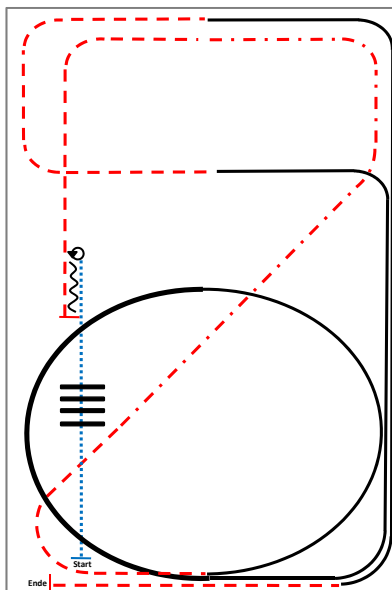


- 1) Walk.
- 2) Extended trot, trot.
- 3) Lope left lead one circle, lope left lead.
- 4) Lead change.
- 5) Lope right lead.
- 6) Extended lope.
- 7) Trot corners.
- 8) Trot over, trot.
- 9) Stop, sidepass left.
- 10) Walk, stop.
- 11) 360° turn right or left, back.



LK 4 A/B / LK 5 A/B

Pattern RR 2017 #3: LK 4/5 A/B
(auch für Hallen und Plätze 20x40m)



- 1) Walk.
- 2) Walk over, walk.
- 3) Stop, 360° turn left or right.
- 4) Back.
- 5) Trot.
- 6) Extended trot, trot.
- 7) Lope left lead.
- 8) Extended lope, lope.
- 9) Trot.
- 10) Lope right lead.
- 11) Trot, stop.

